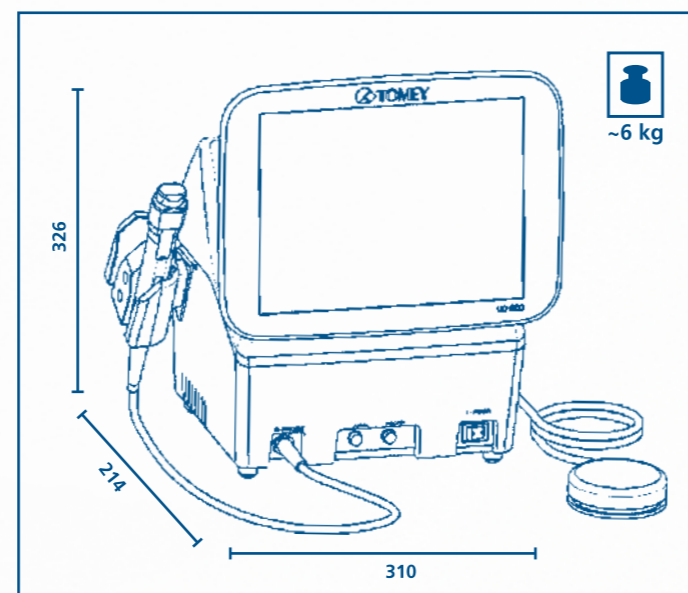


# SPECIFICATIONS

<b>10 MHZ B-PROBE 2-RING SECTOR SCANNING</b>	
Frame rate basic mode	20 frames / sec
Maximum number of pages in a movie	200 pages x 2
Image display range	
Standard	35.2 mm / 52° (at ultrasound velocity = 1,550 m/sec)
Wide	48.0 mm / 52° (at ultrasound velocity = 1,550 m/sec)
Axial & lateral resolution / accuracy	0.6 mm / ±0.5 mm
Acoustic lines	131 lines (step by 0.4°)
Colour scale	256 scale level
<b>40 MHZ UBM PROBE SINGLE LINEAR SCANNING</b>	
Frame rate basic mode	10 frame / sec
Maximum number of pages in a movie	100 pages x 2
Image display range	9 mm (W) x 7mm (D) (at 1,550 m/sec)
Axial & lateral resolution / accuracy	0.05 mm / ±0.1 mm
Minimum distance unit between cursors	0.02 mm step (at 1,550 m/sec)
Acoustic lines	450 lines (step by 0.02 mm)
Colour scale	256 scale level
<b>BIOMETRY 10 MHZ SOLID STATE PROBE WITH BUILT IN RED FIXATION LED</b>	
Measurement range	45.00 mm
Measurement resolution / accuracy	0.01 mm / ±0.1 mm
IOL power calculation	Haigis standard Haigis optimised Hoffer @Q Holladay 1 SRK II SRK/T SRK SHOWA Shammas-PL SRK/T Double K
<b>A-SCAN DIAGNOSIS 10 MHZ SOLID STATE PROBE</b>	
Measurement range	60 mm
Measurement resolution / accuracy	0.01 mm / ±0.1 mm

<b>PACHYMETRY 20 MHZ SOLID STATE PROBE TIP 1.5 MM WITH AN ANGLE OF 45°</b>	
Measurement range	150 to 1,500 µm
Measurement resolution / accuracy	1 µm / ±5 µm
Percent bias	60 to 130%
Plus minus bias	-600 to +450 µm
Velocity range / standard	1,400 to 2,000 m/s / 1,640 m/s
<b>CONNECTORS</b>	
B-scan for 10 or 40 MHz, a-scan / pachymeter, foot switch, LAN, 2 x USB (standard / PictBridge), DICOM work list	
<b>DIMENSIONS AND WEIGHT</b>	
Dimension WDH	310 x 214 x 326 mm
Weight	6.0 kg
<b>DISPLAY</b>	
TFT LCD	10.4 inches, colour touch screen
<b>POWER SOURCE</b>	
Input Voltage	100-240 VAC
Frequency	50/60 Hz
Power consumption	120 VA

## DIMENSIONS



207711 - subject to change without notice

# ULTRASOUND DEVICE UD-800

## MODULAR A/B-SCAN SYSTEM

# DELIGHT IN SIGHT

All in one. For complete ultrasound diagnostic needs.



- Modular configurable
- Internal database (via USB Stick)
- Biometer A-scan 10 MHz
- 10 MHz 2-ring array B-probe
- Pachymetry (optional)
- UBM 40 MHz B-probe (optional)
- A-diagnostic probe (optional)



**TOMEY EUROPE**  
TOMEY GmbH  
Wiesbadener Straße 21  
90427 Nürnberg, Germany  
Phone +49 911 938 546 2 0  
Fax +49 911 938 546 2 20  
Email info@tomey.de

**TOMEY ASIA-PACIFIC**  
TOMEY CORPORATION JAPAN  
2-11-33 Noritakeshinmachi  
Nishi-ku, Nagoya 451-0051, Japan  
Phone +81 52 581 5327  
Fax +81 52 561 4735  
Email intl@tomey.co.jp

**TOMEY**  
TECHNOLOGY AND VISION  
www.tomey.de

**TOMEY**  
TECHNOLOGY AND VISION



# THE TOMEY ULTRASOUND DEVICE UD-800



## QUALITY IN DETAIL

B-scanner, Biometer, Pachymeter and A-Diagnostic – all in one.

The **UD-800** was developed to satisfy all your expectations. Features like the new generation of annular array probes, high resolution touch-screen operation or data communication via USB or LAN makes this device easy in handling and efficient and fast in operation.

Simply choose all your needed features! With its included 10 MHz unique 2-ring array B-Scan probe and the A-Scan biometry probe the UD-800 is a fantastic basic tool for a high end performance.

An intuitive software guides you easily through all measurements, which can be printed out (internal printer as well as external printer). Or just simply save the data on the internal database or on the PC. With the DICOM conform export hospital networks are no problem anymore or just simple pure data export, it is your choice.

## FIVE PROBES

Decide for more options now or later – with the optional 40 MHz linear UBM or 20 MHz Pachymetry probe – they are all easy to attach. Even A-diagnostic with the log, linear or S-mode is no problem.



## UNIQUE 10 MHZ 2-RING ARRAY B-PROBE

Advanced vitreous diagnostic examination due to our new optimised wide field tissue penetration mode.



## INTERNAL DATABASE

You can simply save the data on the internal database (via USB stick) or on the PC.



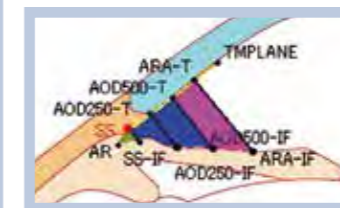
## 40 MHZ UBM (OPTIONAL)

Membrane waterproofed cap (disposable) provides fast and easy testing without the need of a water bath. Due to this technology you are able to examine your patient in an upright position with much more comfort – for you and your patient.

MEMBRANE CAP



ANGLE ANALYSIS



Biometry



IOL calculation



Standardised A-diagnostic with S-mode



Pachymetry with central and map function